

# NetWay8BT

## 8-Port Managed 802.3bt Midspan Injector



Altronix NetWay8BT is a 8-port networked Managed Midspan in a 1U rack enclosure. It provides PoE/PoE+/Hi PoE up to 90W (802.3bt compliant) power per port, 480W total max. and passes data at 10/100/1000 Mbps at distances up to 100m. Features also include an integral battery charger for applications requiring backup and embedded LINQ™ Technology to monitor, control, and report power and diagnostics from anywhere over the network.

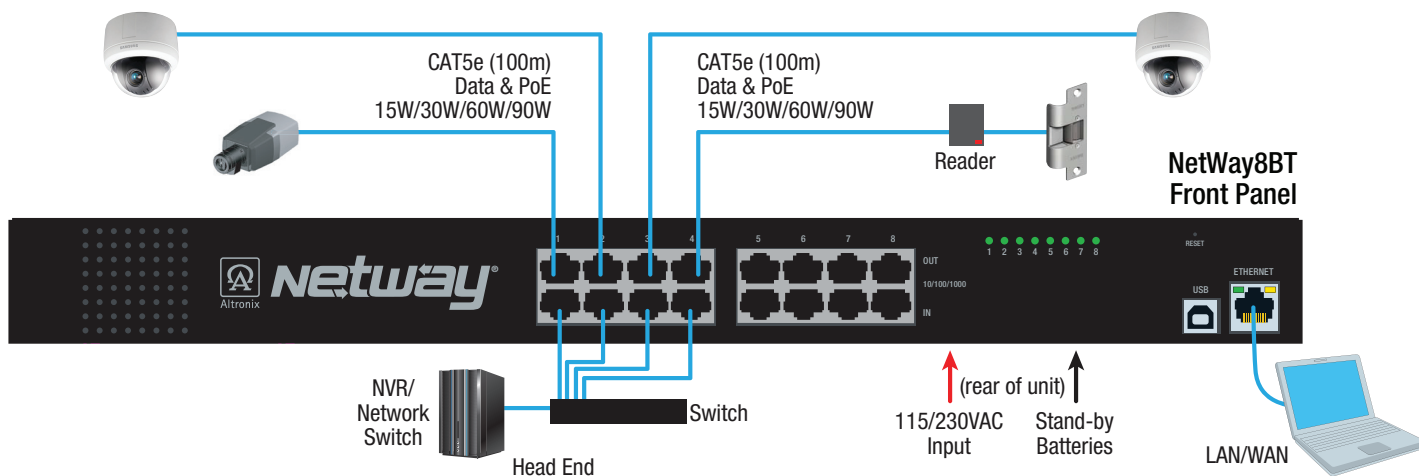


NetWay8BT

### Key Features

- IEEE 802.3af (15W), IEEE 802.3at (30W) and IEEE802.3bt compliant
- 90W maximum power per port (480W total power)
- Eight (8) ports for cameras/edge devices over ethernet
- Speed: 10/100/1000 Mbps
- Port status LEDs
- Auto detection and protection of legacy non-PoE cameras/devices
- Real-time power diagnostics with e-mail and Windows Dashboard Alert notifications
- Local and/or remote access to critical information via LAN/WAN
- Event Log tracks history
- Built-in IP networked management allows for remote camera reset and monitoring
- Built-in battery charger
- UL Listed
- CE European Conformity
- Lifetime Warranty

### Typical Application



### Lifetime Warranty

# NetWay8BT

8-Port Managed 802.3bt Midspan Injector



## Specifications

### Input

115VAC, 60Hz, 5.5A or 230VAC, 50Hz, 3A (auto-ranging)

### Power Output

IEEE 802.3af, IEEE, 802.3at and IEEE802.3bt compliant

Unit provides PoE / PoE+ / Hi PoE

55V up to 90W full power per port

Total power: 480W

Short circuit protection

### Ethernet

Connectivity: RJ45, auto-crossover

Wire type: 4-pair CAT5e or better structured cable

Distance: up to 100m

Speed: 10/100/1000 BaseT, half/full duplex, auto negotiation

### LINQ Technology:

Remote network management allows for camera/device reset and monitoring

Provides local and/or remote access to critical information via LAN/WAN

Email and Windows Dashboard Alert notifications report real-time diagnostics

Event log tracks history

### Indicators (LED)

Yellow and Green LED (by RJ45 jack):

IP Link status, 10/100/1000 Base-T/active

Green LED Port status

### Battery Charging

Type Sealed lead acid or gel type

Failover Upon AC loss, instantaneous

Batteries are sold separately. Separate enclosure is required

### Agency Listings

UL/cUL:

UL60950-1 Information Technology Equipment

UL:

UL294 Access Control Systems

CE

European Conformity

### Physical and Environmental

#### Dimensions (H x W x D)

Enclosure:

Modular 1U standard EIA 19" rack mount chassis

1.625" x 19.125" x 8.5" (41.3mm x 486mm x 216mm)

Shipping:

20.25" x 12.5" x 5.5" (514.4mm x 317.5mm x 139.7mm)

#### Weight (approx.)

Product: 6.4 lb. (2.9 kg)

Shipping: 7.7 lb. (3.5 kg)

#### Temperature

Operating: - 20°C to 40°C (- 4°F to 104°F)

Storage: - 20°C to 70°C (- 4°F to 158°F)

Relative Humidity 85% +/- 5%

Operating Altitude: - 304.8 to 3,048m

BTU/Hr (approx.) 369 BTU/Hr.

## Accessories (order separately)



NetWayXTX

### NetWayXTX - Repeater

Ethernet Extender, 1 Port, 10/100, Passes PoE/PoE+, Extends Data additional 100m



RE2

### RE2 - Rack Mount Battery Enclosure

Accommodates up to four (4) 12VDC/7AH batteries

### Lifetime Warranty

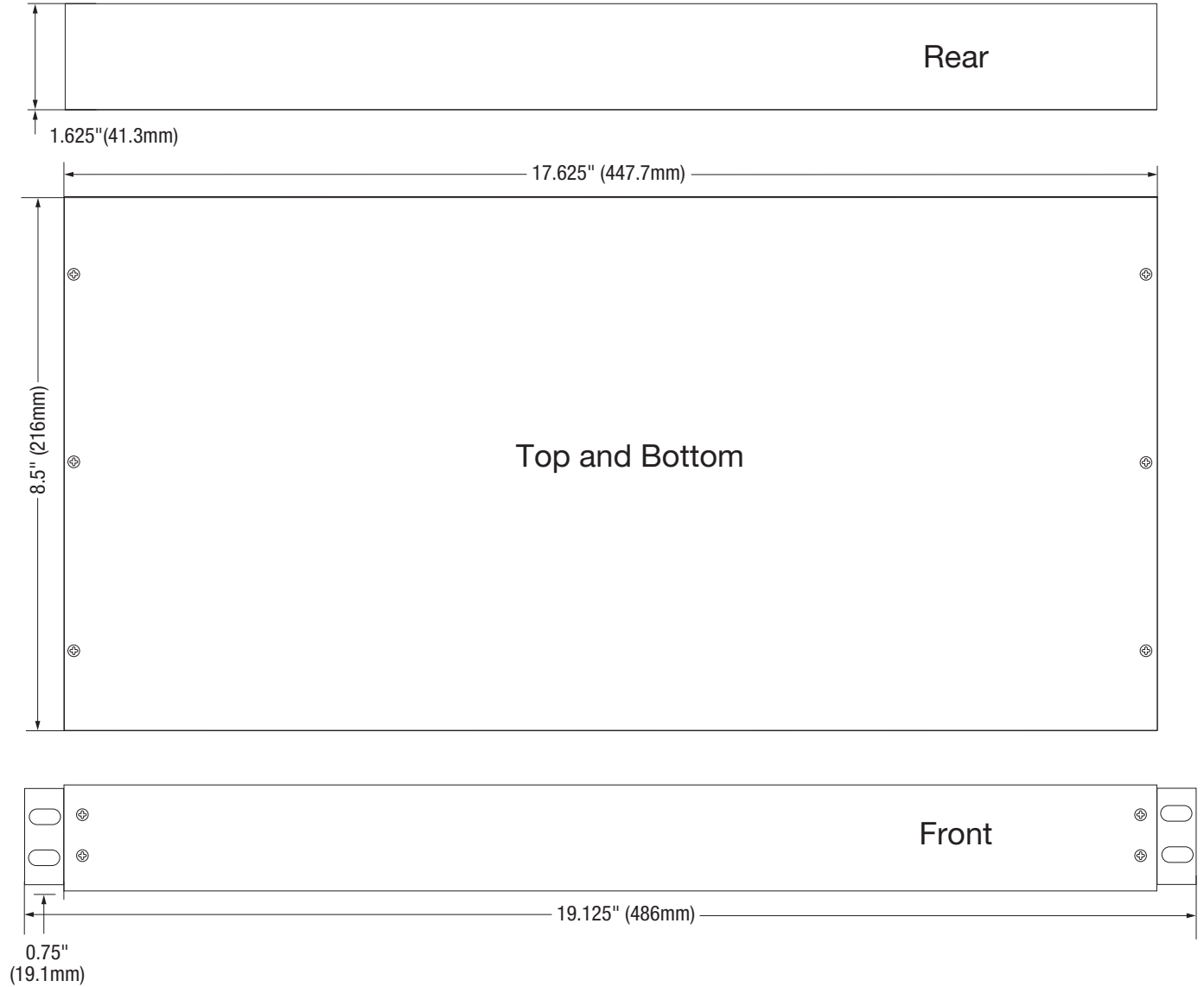
Altronix Corporation | 140 58th St | Brooklyn, NY 11220 USA

phone: +1 718.567.8181 | fax: +1 718.567.9056 | email: info@altronix.com | www.altronix.com

### Dimensions and Drawing

Enclosure Dimensions (H x W x D approximate)

1.625" x 19.125" x 8.5" (41.3mm x 486mm x 216mm)



### Lifetime Warranty

Altronix Corporation | 140 58th St | Brooklyn, NY 11220 USA

phone: +1 718.567.8181 | fax: +1 718.567.9056 | email: [info@altronix.com](mailto:info@altronix.com) | [www.altronix.com](http://www.altronix.com)